



【Model:WWK2361】

General Info

The advantages are as followings:

1. According to the characteristic of LED heat dissipation, the mechanical design and thermal principle are used to carry out to structural design of luminaire, combined with the material of high-thermal conductivity of high-purity aluminum alloy and the special processing technology, the effect of heat conduction, heat convection and heat radiation has been improved significantly, so that make "WuKong" Square series luminaire to achieve much more smaller, less weight, high light efficiency, energy saving, environmental protection and low carbon innovative products.

2. "Wu Kong" Wall light series, integrated 12 ° shielding angle into the anti-glare design, which is beautiful appearance, novel structure, easy for installation and adjustment.

3. Double-head lighting of COB source to create luminous uniformity and soft light effect.

4. Optional illumination: lighting of up, down, up and down options.

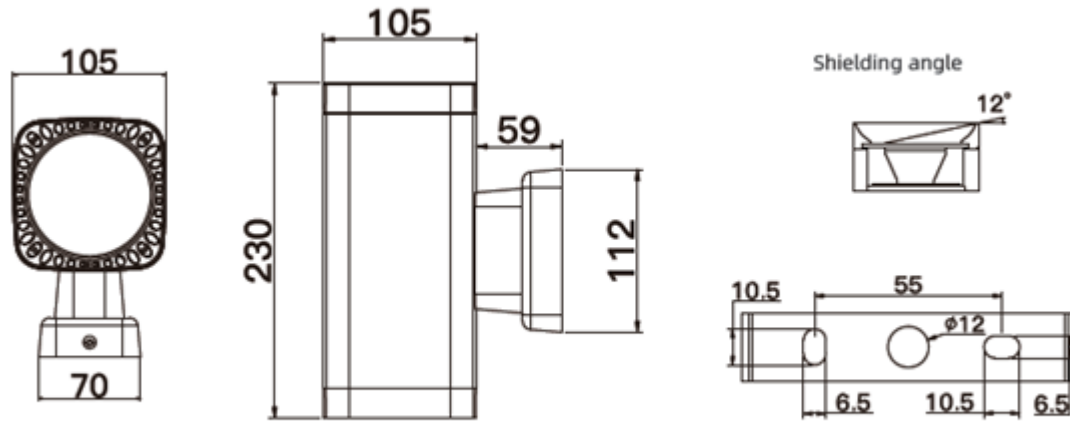
Control: Standard DMX512 (1990) protocol compatible.

Application: Suitable for landscape lighting, such as hotels, apartments, scenic building exterior wall etc.

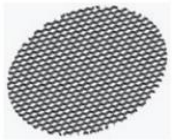
Technical Parameter

Model	WWK2361
Source	COB
LED lifespan	50,000 hours
LED quantity	1 PCS+1 PCS
LED color(single color)	2700K/3000K/3500K/4000K/5000K
Beam angle(FWHM)	25° /40° /60°
Shielding angle	12°
Housing	Die-cast aluminum/aluminum alloy housing , dark gray powder paint with high corrosion resistance
Glass material	5mm thickness toughened ultra-white glass
LED driver	700mA constant current driver
Power input	100 ~ 240VAC ± 10%,50/60Hz; 24V DC;36V DC
Power consumption	40W*2
Ingress protection	IP66
Power cable	3*1.0mm ² rubber cable(High voltage);2*1.0mm ² rubber cable(Low voltage)
Signal cable	2*0.75mm ² +3*0.5mm ² rubber cable(Controllable)
Control	DMX512(1990)
Classification	I;III
Anti-static	IEC61000-4(Level 4)
Ambient operating temperature	-20°C~+55 °C(Ta+10°C)
Power Factor(PF)	≥0.9
Inrush current(Max)	50A
Net weight	2.2KG

Single dimension (mm)



Accessories Optional



Honeycomb anti-glare net



Deep cylinder anti-glare shield